

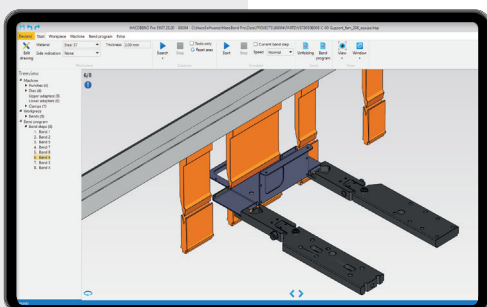
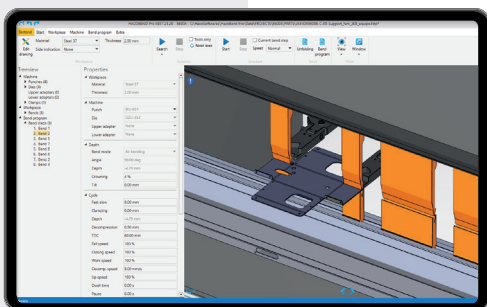
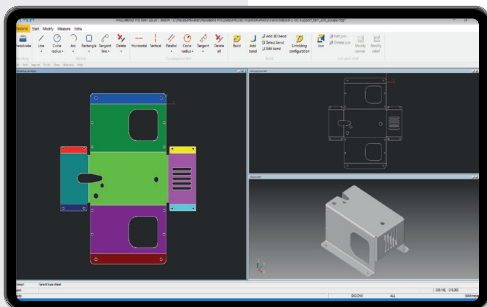
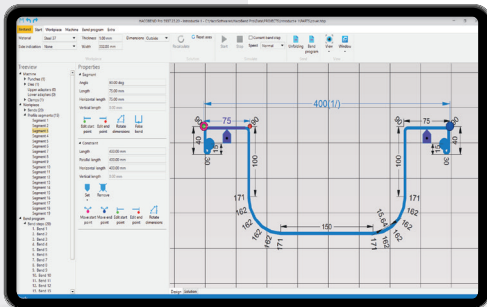


HACOBEND Pro

Bending Software

HACOBEND Pro

HACOBEND Pro is a software application for offline programming of press brakes and is available in a HACOBEND 2D and 3D version. **HACOBEND Pro 2D** offers an intuitive interface for easy 2D and parametric design, enabling swift creation of bending programs. **HACOBEND Pro 3D** goes further with integrated 3D CAD module and advanced features such as an automatic bend line detection, and specialized bends.



Features

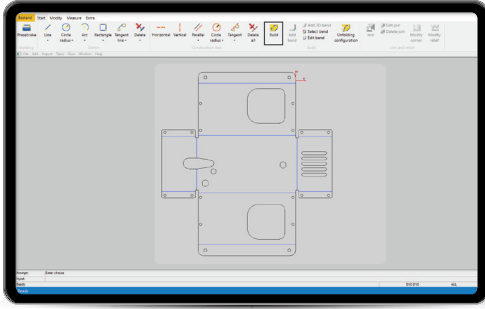
2D/3D PART DESIGN

- Easy 2D profile design
- Parametric design
- Import of external 3D part file formats : IGS and STEP ⁽¹⁾
- Import flat DXF with layer filtering ⁽¹⁾
- Integrated CAD for 3D part design ⁽¹⁾
- Unfolding configuration library containing different bend types, corner notches, reliefs and joining types ⁽¹⁾

BENDING PROGRAM

- Efficient tool selection based on tool geometry, available tool segments, bend radius, material and sheet thickness ⁽¹⁾
- Automatic detection of common bend lines ⁽¹⁾
- Hemming bends with any kind of hemming tools
- Automatic and editable bend sequence calculation
- Automatic and editable backgauge position calculation + retraction of all axes
- Full 3D simulation of the bending process with operator part handling and collision detection between part, machine and tools
- Special bends: hemming bends, radius bending, false bends, Z-bends, manual bends ⁽¹⁾
- Side indication of material
- Integrated measure function
- Editable NC program
- Material, tool and adapter library
- Calculation of angle measurement system
- Calculation of sheet following system

⁽¹⁾ = only 3D



UNFOLDING

- Bend loss calculation taking into account the material type, bend radii and bending tools
- Integration of the required corner cut-outs and reliefs
- Side indication of material

OUTPUT

- Native NC generation of bend part enables direct loading of programs into the press brake control
- Report file for the machine operator containing part info, machine setup and bend step information
- Unfolding of the part in DXF format

Programming with HACO BEND Pro allows

- reducing programming time
- recovering 3D files without redrawing of programming
- programming the machine in hidden time
- making the machine accessible to any operator by programming in the design office
- testing the feasibility of the part during the quotation stage
- automatic calculation of the unfolding
- avoiding material waste

Hardware

| Requirement | Minimum | Recommended |
|--------------------------------------------------------------------------------|---------------------------|---------------------------------------|
| Microsoft® Windows® edition | Windows® 10 | Windows® 11 |
| NET Framework (installed during setup) | 4.8 | |
| MySQL Server (option to install during setup) | 8 | |
| Processor (CPU) Type Apple Mac® machines are not supported | Core™ i5 | Core™ i7 ou i9 de dernière génération |
| Memory (RAM) | 16 GB | 32 GB |
| Hard disk (available space) | 10 GB | 20 GB |
| Mouse or another pointing device | Two button + roller mouse | |
| Monitor resolution | 1920 X 1080 | |
| Graphics processing unit | 1 GB dedicated video card | 4 GB dedicated video card |
| Broadband internet connection for updates, remote support and floating license | | |



ADVANCED TECHNOLOGIES, SINCE 1965



Bending



Robotics



Cutting



Shearing

With decades of experience and leading technologies, we are known for our high-quality customized solutions for sheet metal fabrication and machining. Whether laser cutting, bending or shearing, at HACO we offer precision, quality and innovation.



Customized solutions



Made in EU



Global reach



Local focus

Find out how we can take your bending projects to the next level and view our extensive portfolio of success stories.



Machinery Masterminds

WWW.HACO.COM

HACO Offices:

HACO Belgium

Hogeschuurstraat 2
8850 Ardoorie
Belgium
+32 (0)51 26 52 00
info@haco.com

HACO France

Parc d'activé de la Houssoye
Rue René Laënnec
59253 La Chapelle D'Armentieres
France
+33 3 20 10 30 40
commercial@haco.fr

HACO Slovakia

Ulica 1. Mája 1850
031 80 Liptovský Mikuláš
Slovakia

HACO USA

11629 N. Houston Rosslyn Rd.
Houston, TX 77086
USA
+1 281 445-3985
sales.tx@hacoatlantic.com

HACO Australia

16 Argong Chase
Cockburn Central WA 6164
Australia
+61 0 8 9414 7382
sales@hacoaustralia.com.au

HACO India

Plot No. 122A, Sector 6
MT, Bawal, Distt. Rewari Haryana,
India, 123501
+919996246805
sales@haco-india.com

This catalog is not a contractual document and only for illustrative purposes. HACO reserves the right to modify any specifications within this catalog without prior notice.

HACOBEND Pro/ 10.2024